

# VersaPoint

## Precise 3-Axes Angle Adjustment with a common Center of Rotation

The **angle alignment platform VersaPoint** has three independent rotational axes. They have a common center of rotation. This pivot point is above the platform giving room to mount the component to be aligned in the center of rotation. This minimizes translatory motion during the alignment with one or more rotational axes. Typical applications are angular adjustments of opto-electronic components like laser and detector arrays, planar waveguides, fiber arrays, lens arrays and precision optics.

**Curved and hardened crossed roller-bearings** guarantee precise alignment, high load capacity and a long lifetime. Various types of actuators ranging from micrometers to motorized units can be combined and changed at any point in time. The attainable resolution depends on the actuator and can be better than 0.0005°. Switching from right-handed to left-handed operation is quick and easy.

The mounting platform is made of stainless steel and has two interleaved M4 hole-patterns with a 25 mm spacing. A major advantage for placing external fixtures and supporting assemblies like grippers, dispensers, cameras and UV-guides is the **unimpeded access** to the platform **from all four sides**.

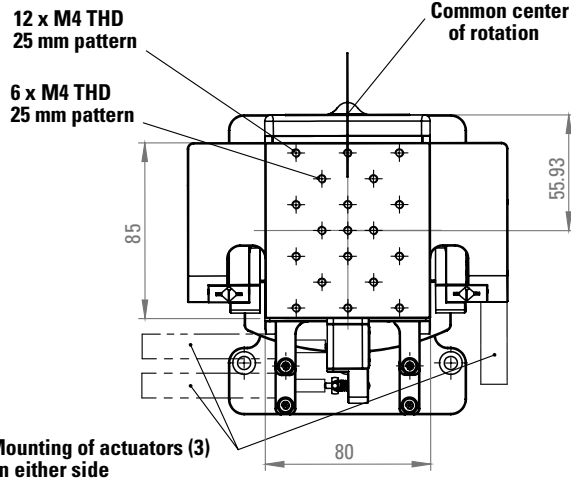
Combining VersaPoint with the **linear axes of the NanoMove series** results in compact motion assemblies enabling precise alignment in all degrees of freedom – with a rotational resolution of 0.0005° and a translatory resolution of 20 nm. NanoMove is available with travel ranges of up to 200 mm.

- **Curved and hardened crossed roller bearings**
- **Common pivot point above the platform**
- **Easy change from right to left handed operation**
- **Manual or motorized actuators**
- **Resolution of 0.0005°**

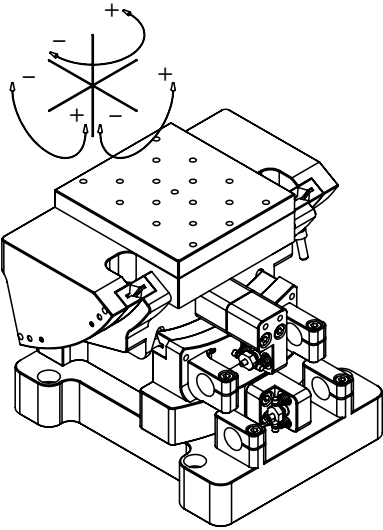
## Technical Data

Travel range	± 5° per axis
Resolution	< 0.0005° (motorized actuator)
Sphere of confusion	< 5 µm
Load capacity	5 kg

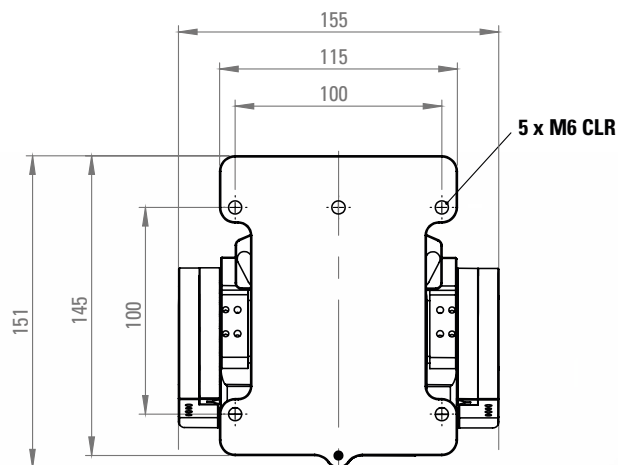
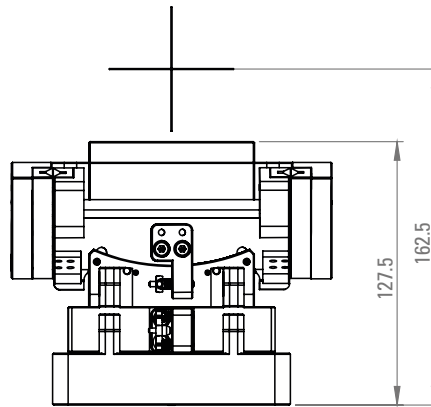
# VersaPoint



Rotary travel  $\pm 5^\circ$   
for all 3 axes



Common Center  
of rotation



**nanosystec**  
PRECISION AUTOMATION

nanosystec GmbH  
Marie-Curie-Straße 6  
64823 Gross-Umstadt, Germany  
Phone: +49 (6078) 78254-0  
e-mail: sales@nanosystec.com  
www.nanosystec.com